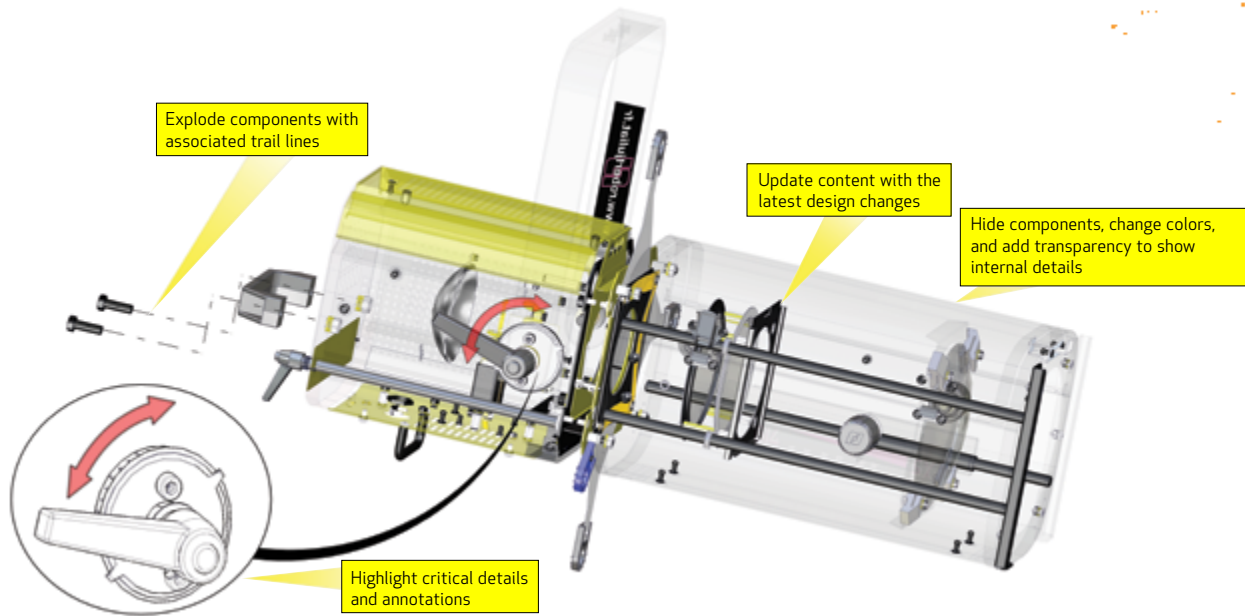


# 3DVIA COMPOSER

Repurpose 3D to simplify and streamline technical communication



*Theatre Lighting Equipment, Robert Juliat*

Recognize 3D as an important virtual asset and put it to work for your organization. With 3DVIA Composer™, individuals in manufacturing, technical publications, marketing, and training are able to repurpose 3D data to create accurate graphics and interactive content early in the design process.

## The traditional way

Traditionally, engineers spend valuable hours capturing screen shots and creating configurations and exploded views of their designs for both internal departments and external agencies. Every design change means a lot of rework and frustration. This imperfect system often leads to workflow bottlenecks on the engineering side and costly delays in getting products to market.

## The 3DVIA Composer way

With 3DVIA Composer, your company's designs and documentation can be produced on parallel tracks. 3DVIA Composer enables individuals with little or no CAD background to directly access design files and pull the graphics needed—whether it's a high-quality image for a brochure or a series of exploded views showing step-by-step assembly instructions.

With a few simple clicks, 3DVIA Composer allows you to create raster images or scalable vector illustrations with options to control outer line thickness, component colors, shading, balloons, interactive parts lists, and symbols. Generating animations for sales presentations and websites is equally simple.

3DVIA Composer is easy-to-use software that anyone associated with product development can use to quickly create content for technical communication such as printed documents and interactive animations from existing 3D models—whether for assembly instructions, marketing collateral, technical illustrations, or training materials.

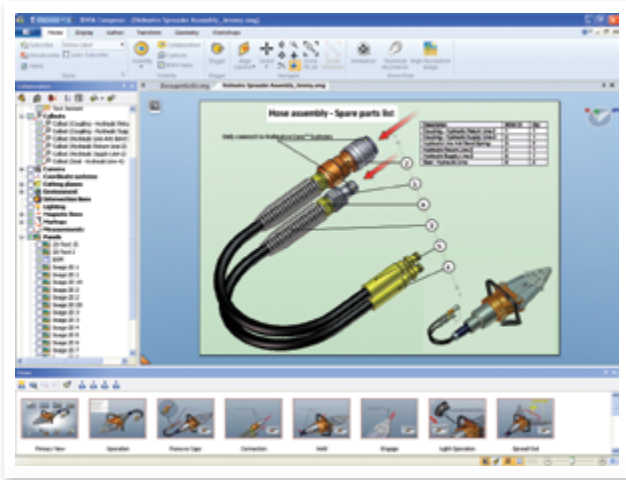
## 3DVIA Composer allows you to easily and efficiently create:

- Assembly/disassembly instructions
- Technical illustrations
- Interactive animations
- Product manuals
- Printed catalogs

## Win more business

Eliminate the waiting time for physical prototypes to create presentation materials.

- Demonstrate products more effectively with interactive storyboards
- Highlight key differentiators with detail views and transparent components
- Impress prospects with quick turnaround of updated designs with interactive animations



## Get products to market faster than ever before

Companies succeed when communication across departments is clear and concise. Communicating with 3D results in fewer errors and can ensure that a product and all its accompanying deliverables get to market faster.

- Create assembly instructions and manuals concurrent with design
- Consume and deliver interactive 3D material with free player
- Develop interactive training material

## No CAD knowledge required

Because of its simple, intuitive user interface, 3DVIA Composer requires no learning curve. Our detailed training materials, in-depth help files, online tutorials, and user forums help everyone start publishing professional 3D manuals and presentations almost instantly.

Visit [www.solidworks.com/3DVIAComposer](http://www.solidworks.com/3DVIAComposer) or contact your local authorized SolidWorks reseller to learn more.

## CAD formats supported:

- SolidWorks®
- CATIA®
- Pro/ENGINEER®
- STEP
- IGES

## Quickly author:

- Exploded views with automated trail lines
- Auto balloons
- BOM tables
- Arrows
- Labels
- Detail views
- Symbols
- Dimensions

## Quickly publish:

- Raster graphics (JPEG or PNG)
- Vector line art (CGM or SVG)
- Videos, including fly-throughs and walk-throughs (AVI with multiple codecs)
- Interactive 3D documents
- Interactive web pages
- 3D PDFs

## Recommended system requirements:

For detailed information, go to:  
[www.solidworks.com/3DVIAComp\\_sysreqs](http://www.solidworks.com/3DVIAComp_sysreqs)

Dassault Systèmes  
SolidWorks Corp.  
300 Baker Avenue  
Concord, MA 01742 USA  
Phone: 1 800 693 9000  
Outside the US: +1 978 371 5011  
Email: [info@solidworks.com](mailto:info@solidworks.com)  
[www.solidworks.com](http://www.solidworks.com)

